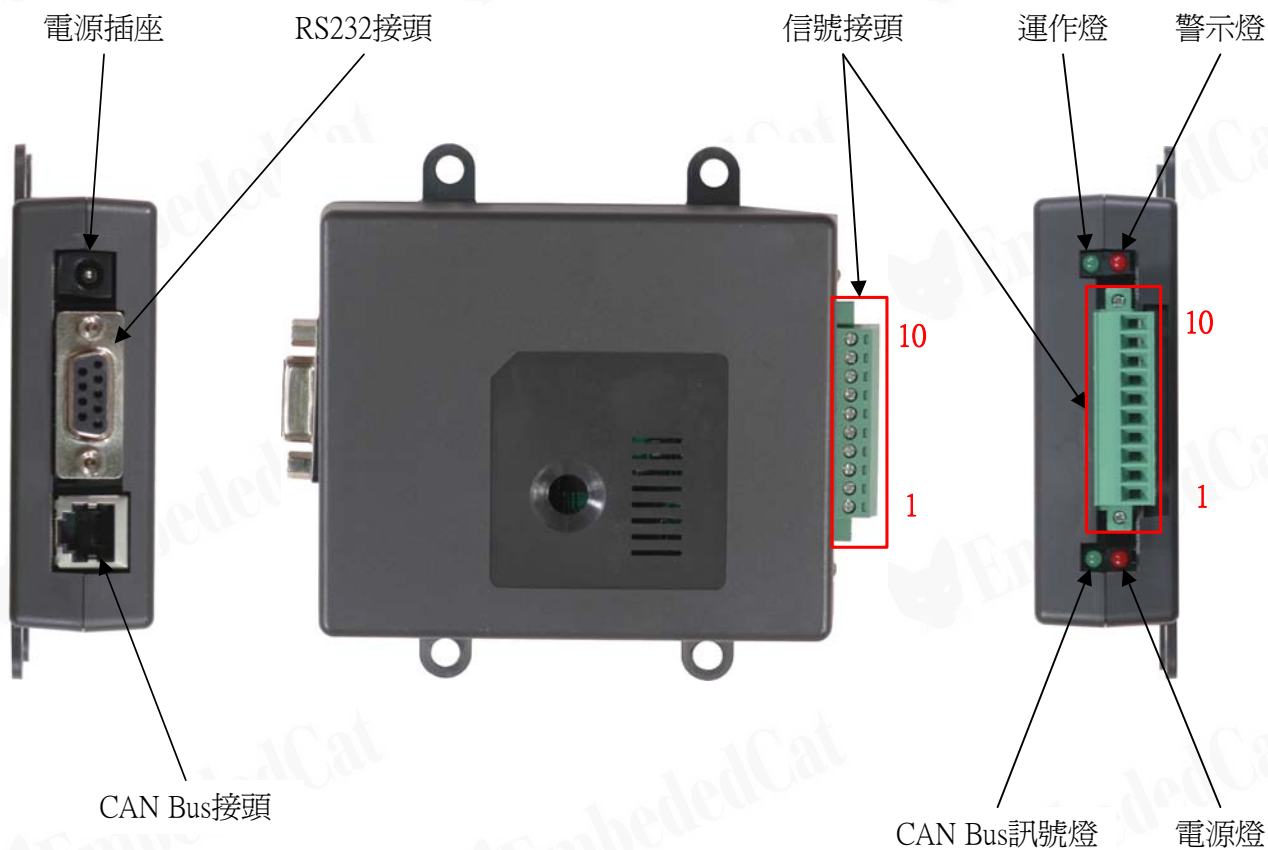


CS02-2400-R 使用手冊

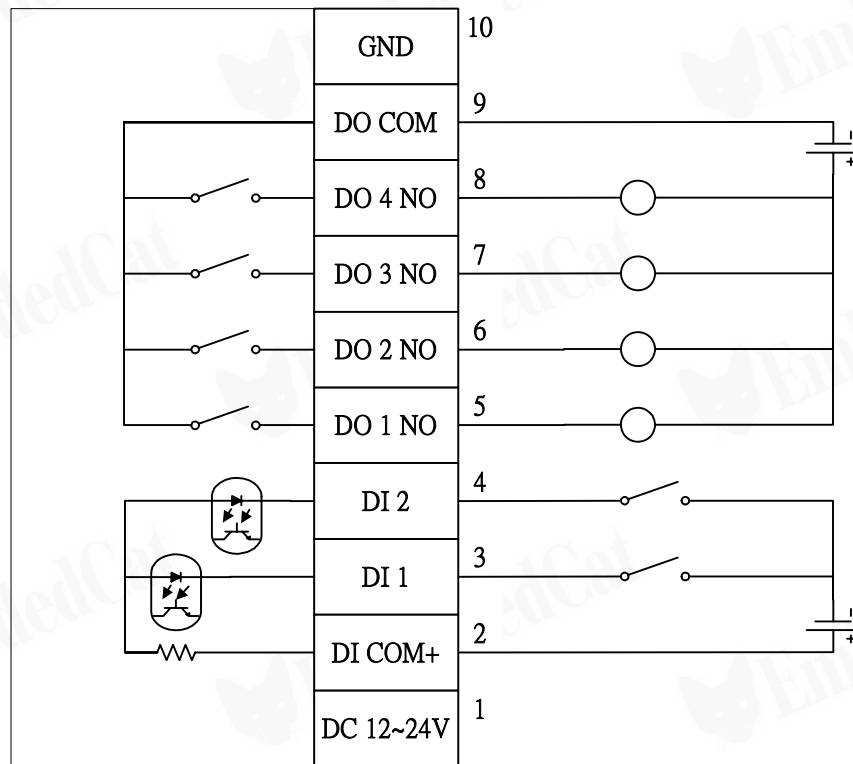
一 接腳及信號規格



Pin	Name	Specification	Channel
1	VCC-Ext	12~24VDC	
2	DI COM+		
3	DI 1	Isolate Input, 3~35VDC	0
4	DI 2	Isolate Input, 3~35VDC	1
5	DO 1 NO	Relay NO, 1A/250VAC 3A/24VDC	2
6	DO 2 NO	Relay NO, 1A/250VAC 3A/24VDC	3
7	DO 3 NO	Relay NO, 1A/250VAC 3A/24VDC	4
8	DO 4 NO	Relay NO, 1A/250VAC 3A/24VDC	5
9	DO COM		
10	GND		

信號接頭接腳表

二 接線範例



接線範例

*其他詳細使用資訊，請參閱CS02 Series 使用手冊中之說明。